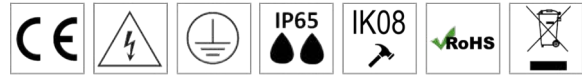


# FDV

## High Bay NG Compact 200W

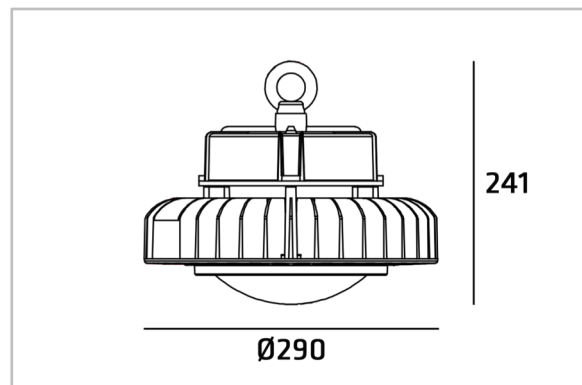
El nr	33 841 06
Article nr	720017
EAN	7090015372271



LUMILEDS

### Lysteknikk

Type lyskilde	SMD LED (Lumileds)
Spenning	230VAC 50/60Hz
Watt	180W
Systemeffekt (W)	200W
Effektiv lysstrøm (lm)	30000 lm
Effekt	150 lm/W
Fargetemperatur	4000K
Fargegjengivelse (CRI)	Ra>80
MacAdams faktor	SDCM<3
Levetid	100 000 L80B50
Lysspredning	120°



### Dimmetype

Type	1-10V
------	-------

### Beskyttelse

Isolasjonsklasse	Klasse I
IP-grad (armaturhus)	IP65
IP-grad (driver)	IP67
IK-grad	IK08

### Montering/Tilkobling

Montering	Nedhengt
Kabling	1,5m ledning AC 1,5m ledning DIM

### Materialer og overflater

Armaturhus	Aluminium, PC
Farge	Sort (RAL9005)
Optikk	PC

### Dimensjoner (mm)

Diameter (D)	Ø290 mm
Høyde (H)	241 mm
Vekt	4,40 kgs

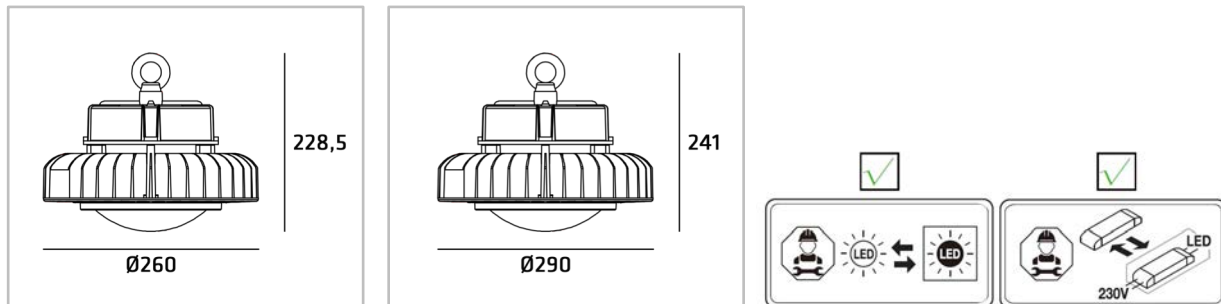
### Energi og godkjenning

Energiklasse	A++
Godkjenning	CE, RoHS
Safety standard	EN 60598-1:2015, EN 60598-2-1:1989, EN 62031:2008, IEC TR 62778 :2014, EN 62493:2015

### Forpakning

Eske dimensjon	325x325x270 mm
Eske Vekt	4,60 kgs
Kartong Dimensjon	345x345x560 mm
Antall/Kartong	2 stk
Kartong Vekt	11,30 kgs

## High Bay NG Compact



### IMPORTANT INFORMATION:

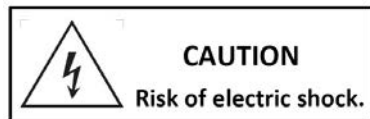
1. Please read this instruction carefully before installation and keep it for future reference.
2. Please conform to the instruction of equipment and installed by professional.
3. Make sure correct voltage applied before use and keep away from heat and vibration source.
4. The light source of this luminaire is not replaceable. When the light source reaches its end of life the whole luminaire shall be replaced.
5. The product is not suitable for any oil pollution ambient or related applications.
6. This product contains a light source of energy efficiency class **C**.
7. It shall not be disposed of as unsorted municipal waste.
8. For indoor and outdoor use.

### MAIN PARAMETER:

Product	710017	715017	720017
Rated Voltage	AC 100-277V 50/60Hz	AC 100-277V 50/60Hz	AC 100-277V 50/60Hz
LED watt	90W	135W	180W
System eff	100W	150W	200W
LED	Lumileds Luxeon SMD 3030 LED	Lumileds Luxeon SMD 3030 LED	Lumileds Luxeon SMD 3030 LED
LED Driver	Constant Current 1940mA	Constant Current 2870mA	Constant Current 3860mA
Color Temperature	4000K	4000K	4000K
Protection	Class I	Class I	Class I
Beam Angle	120°	120°	120°
IP Rated	IP65	IP65	IP65
Operation Temperature	-40°C <ta<50°C	-40°C <ta<50°C	-40°C <ta<50°C
Product Size	Ø260mmxH228,5mm	Ø260mmxH228,5mm	Ø290mmxH241mm

### INSTALLATION INSTRUCTIONS:

1. Always switch off the power supply before installation.
2. Make sure all parts are ready when open the box and prepare the installation tools the lighting needs.
3. Should be installed by qualified electricians.
4. If there is any damage on the housing or glass cover, should view it as disqualified product that cannot be used.
5. If the external flexible cable or cord of this luminaire is damaged, it shall be exclusively replaced by the manufacturer or his service agent or a similar qualified person in order to avoid a hazard.

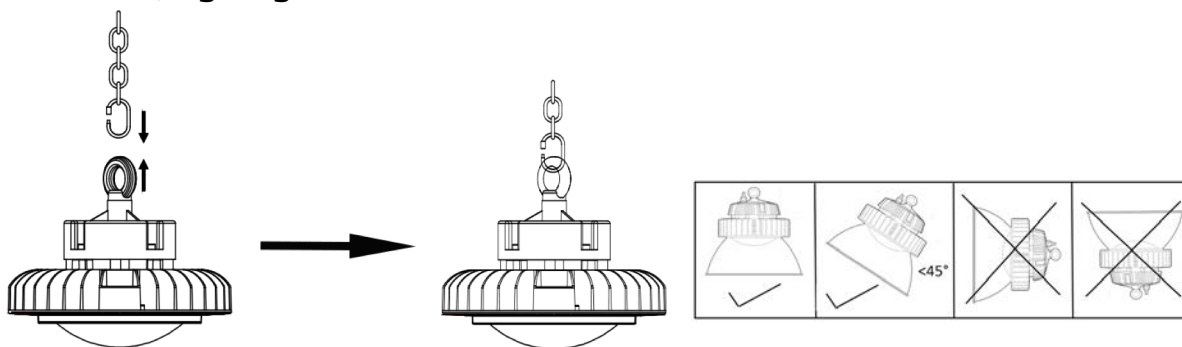


Art nr. 710017/715017/720017

**INSTALLATION STEPS:**

1. Select the required position for the luminaire. Secure the bolt on luminaire and ensure the fixings are suitable to withstand the weight of this product.

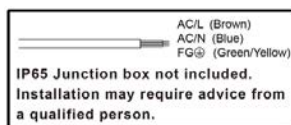
**WARNING: a) The luminaire is heavy and must have suitable fixings.  
b) Lighting source downward.**



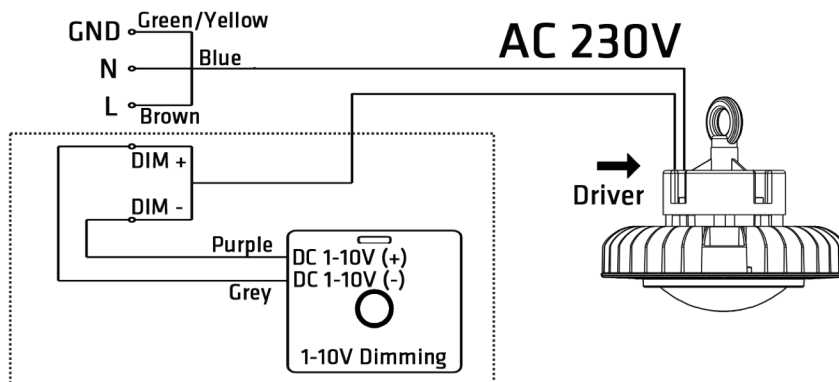
2. Provide a power supply to the luminaire using a suitable cable. Connect the mains supply to the luminaire.

Note: The luminaire is pre-wired with 1,5m AC cable (3-core) and 1,5m Dim cable (2-core).

- Mains supply LIVE (Brown) - L
- Mains supply NEUTRAL (Blue) - N
- Mains supply EARTH (Yellow/Green) - E



**IMPORTANT: These luminaires are Class I and must be earthed.**



3. Switch on the power supply.

